

Model S0000-IWH2

Instantaneous Water Heater - 240 Volts



SPECIFICATIONS:

Model S0000-IWH2 is a point-of-use, single phase, non-continuous use, instantaneous water heater with Celcon waterways, Ni Chrome heating coils and a maximum temperature rise of 32°F. The heater provides tepid warm water, factory preset to 84°F.

STANDARD EQUIPMENT:

Heater Assembly: Cast aluminum, white enamel painted housing, Celcon element assembly with Ni Chrome coils that can produce a maximum temperature rise of 32°F at 2.5 GPM.

Water Supply: Compression fittings to receive 3/8" OD tube inlet and outlet. Minimum operating pressure of 30 psi and a maximum operating pressure of 150 psi. Minimum operating flow rate is 1.0 GPM.

Electrical Requirements: 240 VAC, 50 Amps, 11520 Watts.

Model: S0000-IWH2



OPTIONAL ACCESSORIES:

Additional costs may be incurred

NONE

Acorn Safety assumes no responsibility for use of void or suspended data. © Copyright 2007 Acorn Safety, City of Industry, CA, A Division of Acorn Engineering Company. Please visit www.acornsafety.com for most current specifications.

Submittal # **S0000-IWH2**
[Cat. 07/ACC] 11/1/07

Product complies to the following standards:



Test rating conditions are compliant to ANSI Z358.1-2004



Member of Acorn Family of Companies

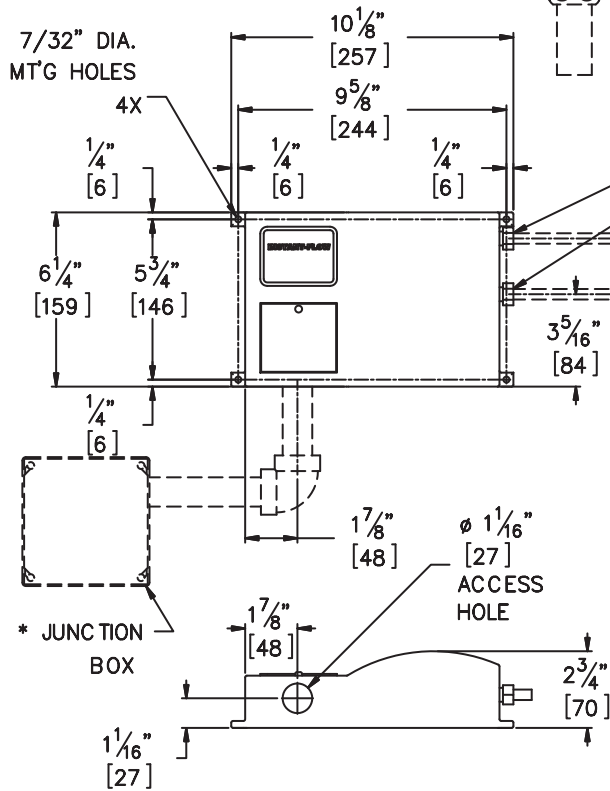
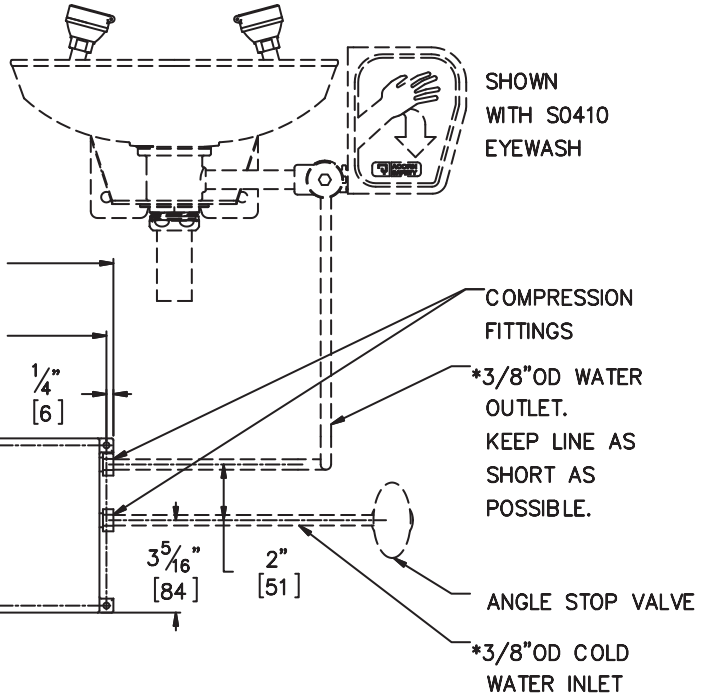
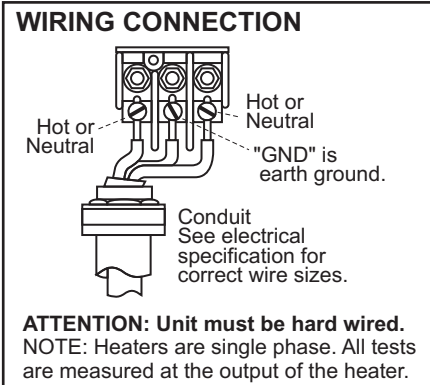
ACORN SAFETY
15125 Proctor Avenue
City of Industry, CA
91746 U.S.A.
Phone 800-591-9372
626-855-4804
Fax 626-937-4213
www.acornsafety.com

TECHNICAL DIMENSIONS

All dimensions are nominal and subject to manufacturer's change without notice. Acorn Safety assumes no responsibility for use of void or suspended data. Dimensions may change with the addition of optional accessories. © 2008 Acorn Safety, a Division of Acorn Engineering Company. Please visit www.acornsafety.com for most current specifications.

☐ Model S0000-IWH2 : Instantaneous Water Heater - 240 Volts

ELECTRICAL DIAGRAM



GENERAL NOTES:

1. ALL DIMENSIONS IN INCHES [MM]
2. * JUNCTION BOX, WIRING CONDUIT, TUBING & ANGLE STOP VALVE PROVIDED BY OTHERS.

Rough-in # **S0000-IWH2** Rev. A 11/20/08

Acorn Safety warrants that its products are free from defects in material or workmanship under normal use and service for a period of one year from date of shipment. Acorn's liability under this warranty shall be discharged solely by replacement or repair of defective material, provided Acorn is notified in writing within one year from date of shipment, F.O.B. Industry, California.

SELECTION SUMMARY & APPROVAL FOR MANUFACTURING

Model Number & Options _____	Quantity _____
Company _____	Date _____
Contact _____	Title _____
Approval for Manufacturing/Signature _____	



Phone 800-591-9372 or 626-855-4804
www.acornsafety.com