

Model S1330-SPV

Combination Station, Stainless Steel Bowl Eyewash,
Plastic Showerhead, Scald Protection Valve



SPECIFICATIONS:

Model S1330-SPV is a pedestal mounted combination station with an eyewash, with a stainless steel bowl, ABS plastic eyewash spray heads, an inline strainer, a stay-open 1/2" ball valve with a push handle and a scald protection valve and a shower with a plastic showerhead and a 1" stay-open ball valve with a pull rod.

STANDARD EQUIPMENT:

Showerhead: Yellow, ABS plastic 7-3/8" diameter showerhead with a 20 gpm flow regulator.

Shower Valve: 1" NPT rough chrome plated brass stay-open ball valve. Unit is provided with a stainless steel actuator arm and a 29" stainless steel pull rod.

Eyewash Bowl: Stainless steel, 11-3/4" diameter bowl.

Spray Head Assembly: ABS yellow plastic eyewash heads with integral flip dust covers, internal flow controls and filters to remove debris from the water.

Eyewash Valves: 1/2" NPT chrome plated brass stay-open ball valve with a stainless steel push handle and a 50 mesh inline strainer. Scald protection valve is temperature actuated and opens automatically when the water temperature rises above 105°F, thus allowing the water to flow and preventing it from injuring the user. The valve closes automatically once the water temperature drops below 95°F.

Water Supply: 1-1/4" NPT female threaded side or top inlet.

Waste: 1-1/4" NPT female outlet.

Piping & Mounting: Schedule 40 galvanized steel piping and a 9-1/8" diameter cast iron floor flange with a yellow powder coated finish.

Universal Sign: ANSI compliant, vertical identification sign.

Weekly Test Tag: A water proof test card to record the date and inspector's name for weekly functional testing of the unit.

Model: S1330-SPV



OPTIONAL ACCESSORIES:

Additional costs may be incurred

- AL1 Electric alarm with light and horn
- AL2 Electric alarm with flashing light and horn
- AS All stainless steel
- BF Barrier free, handicap accessible
- FLW1 Flow switch, single pole
- FPV Freeze protection valve (eyewash only)
- HFC Hand foot control
- MC1 Modesty curtain for horizontal showers
- PCP Polished chrome plated pipe
- SDC Stainless steel dust covers
- SSE Stainless steel eyewash spray heads
- SV1 Stainless steel 1" ball valve
- SV2 Stainless steel 1/2" ball valve
- TMB2 Thermostatic mixing valve with an external cold water bypass that delivers tepid water as outlined by ANSI Z358.1-2004
- TMV2 Thermostatic mixing valve that delivers tepid water as outlined by ANSI Z358.1-2004
- "1" Auxiliary hand-held drench hose with a self-closing valve (Use model S1331-SPV)

Acorn Safety assumes no responsibility for use of void or suspended data. © Copyright 2007 Acorn Safety, City of Industry, CA, A Division of Acorn Engineering Company. Please visit www.acornsafety.com for most current specifications.

Submittal # **S1330-SPV**
[Cat. 07/CMB] Rev. B 2/17/09

Product carries the following certifications:



Test rating conditions are compliant to ANSI Z358.1-2004



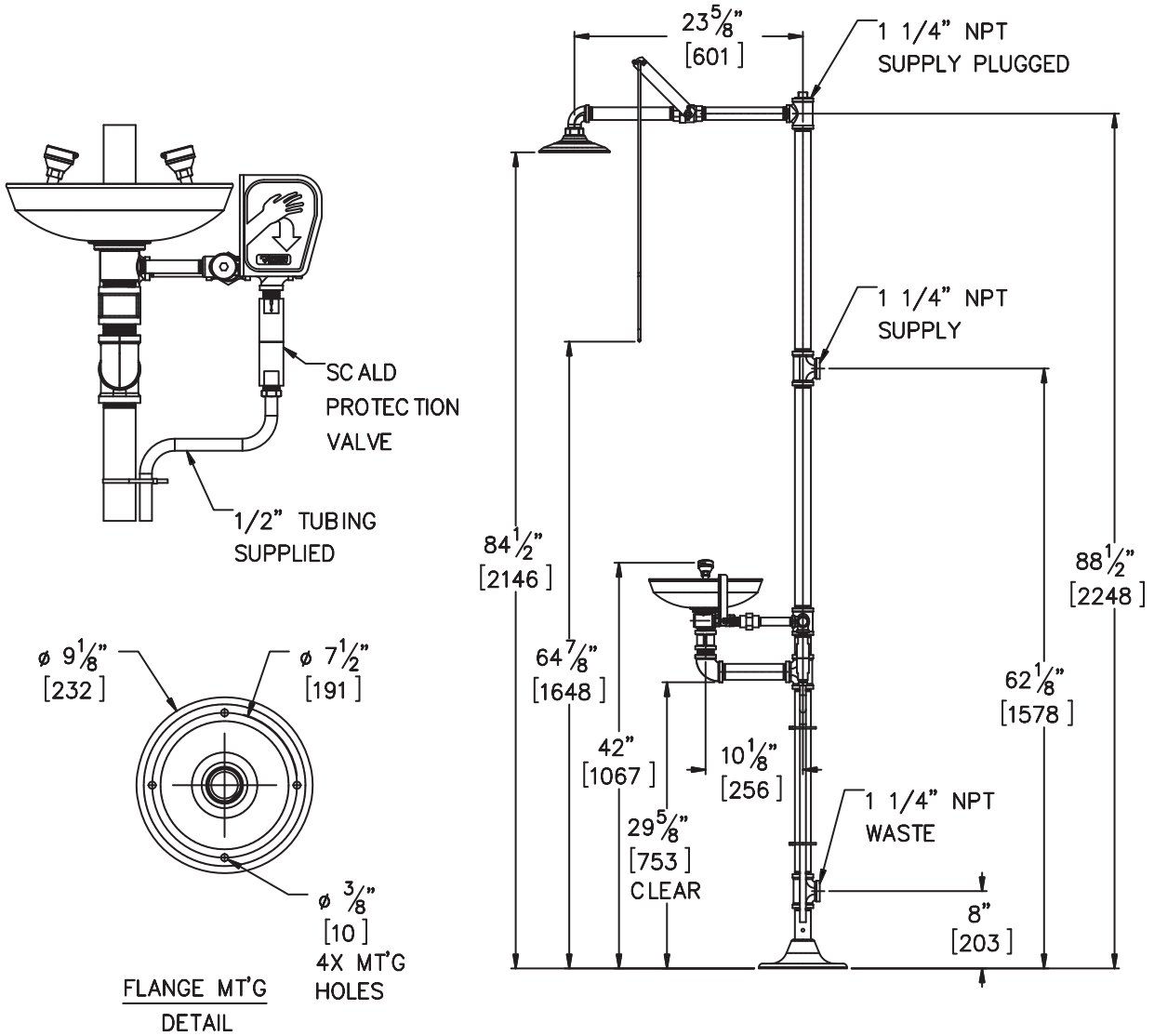
Member of Acorn
Family of Companies

ACORN SAFETY
15125 Proctor Avenue
City of Industry, CA
91746 U.S.A.
Phone 800-591-9372
626-855-4804
Fax 626-937-4213
www.acornsafety.com

TECHNICAL DIMENSIONS

All dimensions are nominal and subject to manufacturer's change without notice. Acorn Safety assumes no responsibility for use of void or suspended data. Dimensions may change with the addition of optional accessories. © 2008 Acorn Safety, a Division of Acorn Engineering Company. Please visit www.acornsafety.com for most current specifications.

☐ **Model S1330-SPV** : Combination Station, Stainless Steel Bowl Eyewash, Plastic Showerhead, Scald Protection Valve



GENERAL NOTES

1. ALL DIMENSIONS ARE IN INCHES [MM].
2. SCALD PROTECTION VALVE TUBING TO BE CABLE TIED TO MAIN TRUNK.

Rough-in # **S1330-SPV** Rev. A 11/20/08

Acorn Safety warrants that its products are free from defects in material or workmanship under normal use and service for a period of one year from date of shipment. Acorn's liability under this warranty shall be discharged solely by replacement or repair of defective material, provided Acorn is notified in writing within one year from date of shipment, F.O.B. Industry, California.

SELECTION SUMMARY & APPROVAL FOR MANUFACTURING

| | |
|--|----------------|
| Model Number & Options _____ | Quantity _____ |
| Company _____ | Date _____ |
| Contact _____ | Title _____ |
| Approval for Manufacturing/Signature _____ | |



Phone 800-591-9372 or 626-855-4804
www.acornsafety.com