

Model S2300

Pedestal Mounted Emergency Shower,
Stainless Steel Showerhead



SPECIFICATIONS:

Model S2300 is a pedestal mounted emergency shower with a stainless steel showerhead and a 1" stay-open ball valve with a pull rod.

STANDARD EQUIPMENT:

Showerhead: Stainless steel, 7-3/8" diameter showerhead with a 20 gpm flow regulator.

Valve: 1" NPT rough chrome plated brass stay-open ball valve. Unit is provided with a stainless steel actuator arm and a 29" stainless steel pull rod.

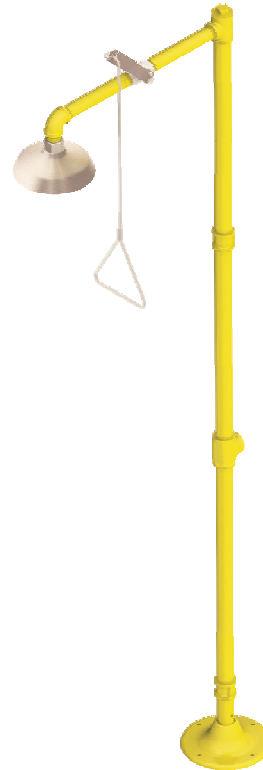
Water Supply: 1-1/4" NPT female threaded side or top inlet.

Piping & Mounting: Schedule 40 galvanized steel piping and a 9-1/8" diameter cast iron floor flange with a yellow powder coated finish.

Universal Sign: ANSI compliant, vertical identification sign.

Weekly Test Tag: A water proof test card to record the date and inspector's name for weekly functional testing of the unit.

Model: S2300



OPTIONAL ACCESSORIES:

Additional costs may be incurred

- AL1 Electric alarm with light and horn
- AL2 Electric alarm with flashing light and horn
- FLW1 Flow switch, single pole
- MC1 Modesty curtain for horizontal showers
- PR60 60" pull rod
- SV1 1" stainless steel ball valve
- TMB2 Thermostatic mixing valve with an external cold water bypass that delivers tepid water as outlined by ANSI Z358.1-2004
- TMV2 Thermostatic mixing valve that delivers tepid water as outlined by ANSI Z358.1-2004

Acorn Safety assumes no responsibility for use of void or suspended data. © Copyright 2007 Acorn Safety, City of Industry, CA, A Division of Acorn Engineering Company. Please visit www.acornsafety.com for most current specifications.

Submittal # **S2300**
[Cat. 07/SHR] 11/1/07

Product complies to the following standards:

Test rating conditions are compliant to ANSI Z358.1-2004



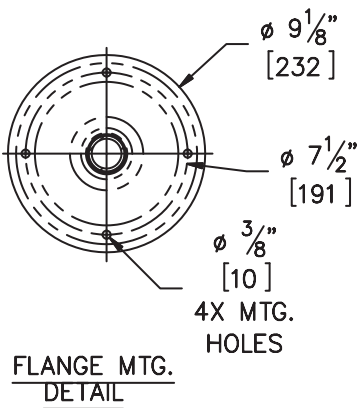
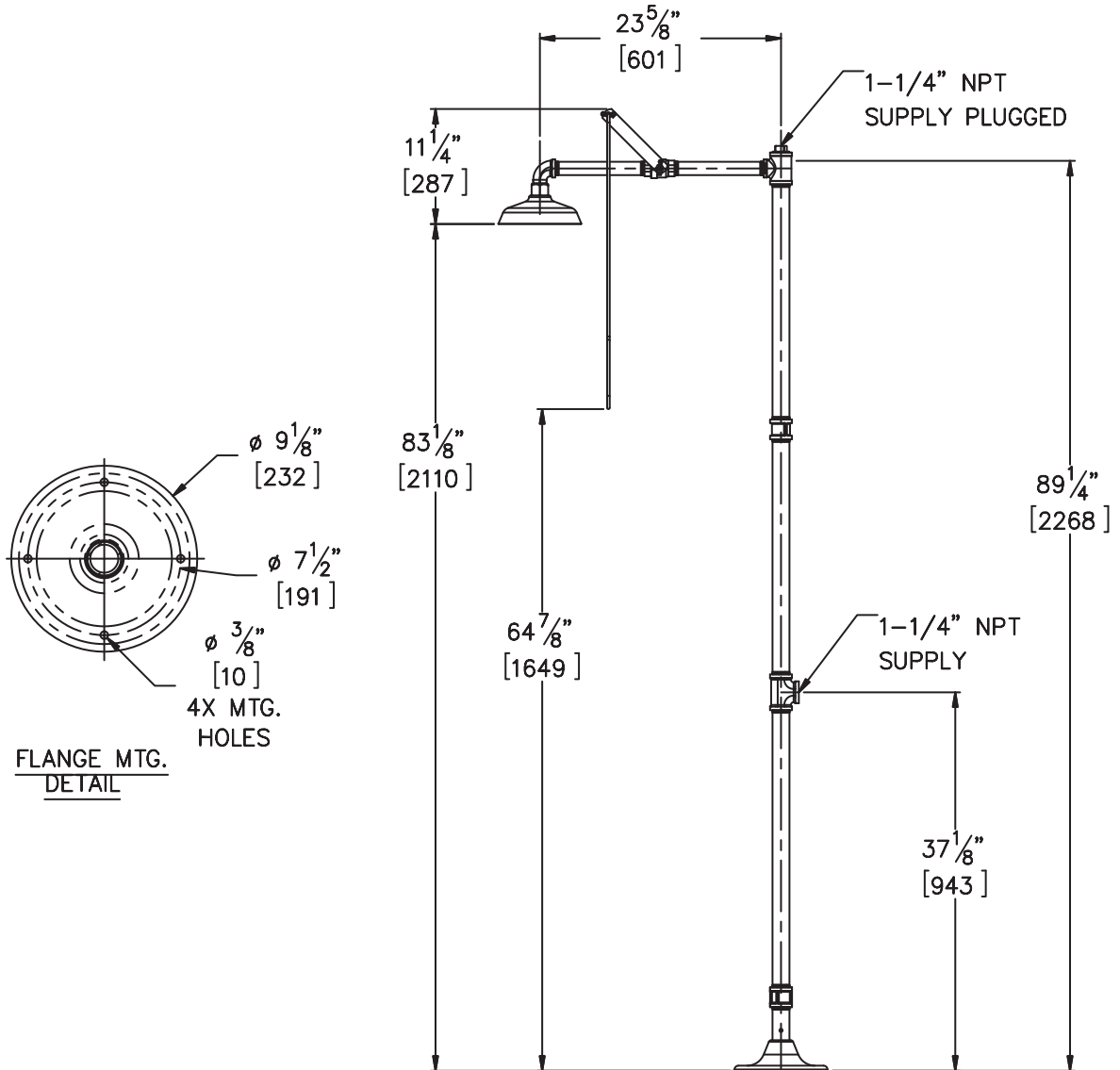
Member of Acorn
Family of Companies

ACORN SAFETY
15125 Proctor Avenue
City of Industry, CA
91746 U.S.A.
Phone 800-591-9372
626-855-4804
Fax 626-937-4213
www.acornsafety.com

TECHNICAL DIMENSIONS

All dimensions are nominal and subject to manufacturer's change without notice. Acorn Safety assumes no responsibility for use of void or suspended data. Dimensions may change with the addition of optional accessories. © 2008 Acorn Safety, a Division of Acorn Engineering Company. Please visit www.acornsafety.com for most current specifications.

☐ **Model S2300** : Pedestal Mounted Emergency Shower, Stainless Steel Showerhead



USP2DAYSONLY

GENERAL NOTES:

1. ALL DIMENSIONS ARE IN INCHES [MM].

Rough-in # **S2300** Rev. A 11/20/08

Acorn Safety warrants that its products are free from defects in material or workmanship under normal use and service for a period of one year from date of shipment. Acorn's liability under this warranty shall be discharged solely by replacement or repair of defective material, provided Acorn is notified in writing within one year from date of shipment, F.O.B. Industry, California.

SELECTION SUMMARY & APPROVAL FOR MANUFACTURING	
Model Number & Options _____	Quantity _____
Company _____	Date _____
Contact _____	Title _____
Approval for Manufacturing/Signature _____	



Phone 800-591-9372 or 626-855-4804
www.acornsafety.com