

# Model S0340-HFC

Pedestal Mounted Eye/Face Wash,  
Stainless Steel Bowl, Hand Foot Control



## SPECIFICATIONS:

Model S0340-HFC is a pedestal mounted eye/face wash, with a stainless steel bowl, ABS plastic eye/face wash spray heads, an inline strainer, a stay-open 1/2" ball valve with a push handle and a hand foot control.

## STANDARD EQUIPMENT:

**Spray Head Assembly:** ABS yellow plastic eye/face wash heads with integral flip dust covers, internal flow controls and filters to remove debris from the water.

**Valve:** 1/2" NPT chrome plated brass stay-open ball valve that is operated by either a stainless steel push handle or foot pedal and a 50 mesh inline strainer.

**Water Supply:** 1/2" NPT female threaded, chrome plated brass inlet.

**Waste:** 1-1/4" NPT female outlet.

**Bowl:** Stainless steel, 11-3/4" diameter bowl.

**Piping & Mounting:** Schedule 40 galvanized steel piping and a 9-1/8" diameter cast iron floor flange with a yellow powder coated finish.

**Universal Sign:** ANSI compliant, vertical identification sign.

**Weekly Test Tag:** A water proof test card to record the date and inspector's name for weekly functional testing of the unit.

Model: S0340-HFC



## OPTIONAL ACCESSORIES:

*Additional costs may be incurred*

- CS1 Stainless steel "clam shell" cover
- FLW2 Flow switch, single pole
- FPV Freeze protection valve
- SDC Stainless steel dust covers
- SPV Scald protection valve
- SV2 Stainless steel ball valve
- TMB1 Thermostatic mixing valve with an external cold water bypass that delivers tepid water as outlined by ANSI Z358.1-2004
- TMV1 Thermostatic mixing valve that delivers tepid water as outlined by ANSI Z358.1-2004
- "1" Auxiliary hand-held drench hose with a self-closing valve (Use model S0341-HFC)

Acorn Safety assumes no responsibility for use of void or suspended data. © Copyright 2007 Acorn Safety, City of Industry, CA, A Division of Acorn Engineering Company. Please visit [www.acornsafety.com](http://www.acornsafety.com) for most current specifications.

Submittal # **S0340-HFC**  
[Cat. 07/EFW] Rev. A 2/17/09

Product carries the following certifications:



Test rating conditions are compliant to ANSI Z358.1-2004



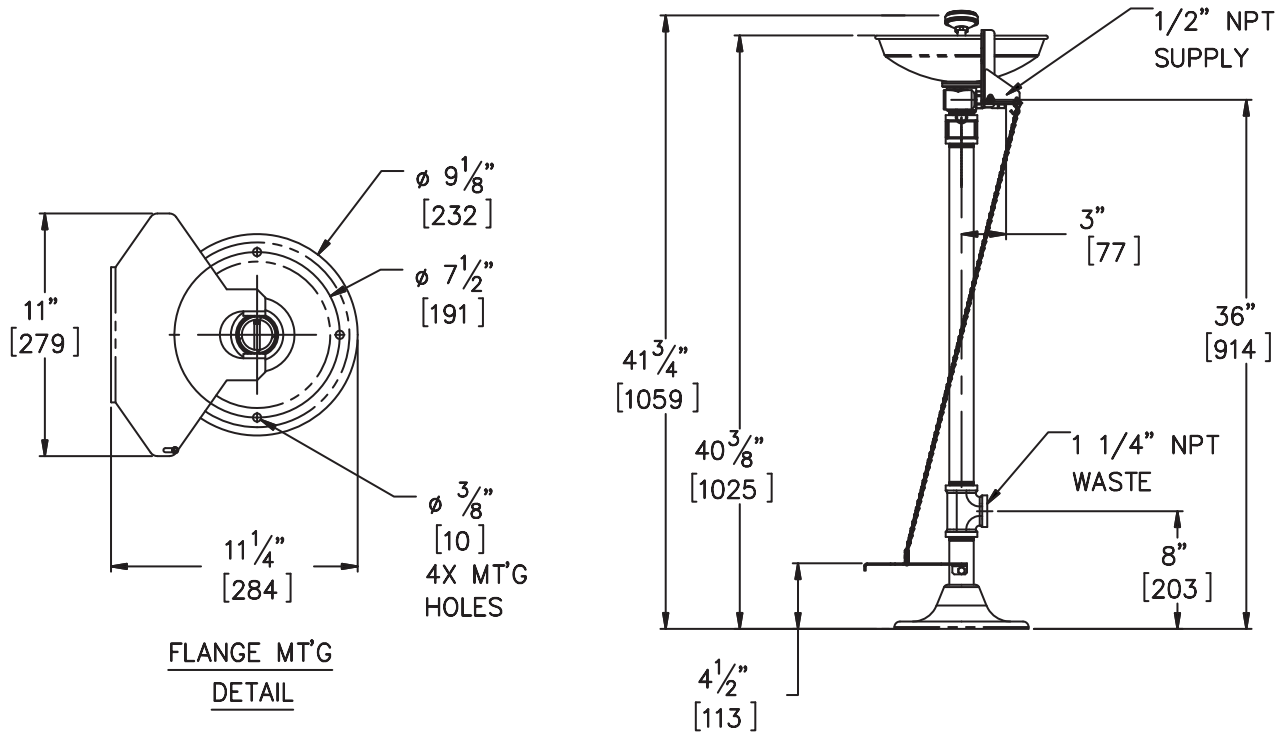
Member of Acorn  
Family of Companies

ACORN SAFETY  
15125 Proctor Avenue  
City of Industry, CA  
91746 U.S.A.  
Phone 800-591-9372  
626-855-4804  
Fax 626-937-4213  
[www.acornsafety.com](http://www.acornsafety.com)

# TECHNICAL DIMENSIONS

All dimensions are nominal and subject to manufacturer's change without notice. Acorn Safety assumes no responsibility for use of void or suspended data. Dimensions may change with the addition of optional accessories. © 2008 Acorn Safety, a Division of Acorn Engineering Company. Please visit [www.acornsafety.com](http://www.acornsafety.com) for most current specifications.

☐ **Model S0340-HFC** : Pedestal Mounted Eye/Face Wash, Stainless Steel Bowl, Hand Foot Control



**GENERAL NOTES:**

1. ALL DIMENSIONS ARE IN INCHES [MM].

Rough-in # **S0340-HFC** Rev. A 11/20/08

Acorn Safety warrants that its products are free from defects in material or workmanship under normal use and service for a period of one year from date of shipment. Acorn's liability under this warranty shall be discharged solely by replacement or repair of defective material, provided Acorn is notified in writing within one year from date of shipment, F.O.B. Industry, California.

SELECTION SUMMARY & APPROVAL FOR MANUFACTURING	
Model Number & Options _____	Quantity _____
Company _____	Date _____
Contact _____	Title _____
Approval for Manufacturing/Signature _____	



Phone 800-591-9372 or 626-855-4804  
[www.acornsafety.com](http://www.acornsafety.com)