

Model S1100-PR60

Barrier Free, Vertically Mounted
Emergency Shower, Plastic Showerhead



SPECIFICATIONS:

Model S1100-PR60 is a barrier free, vertically mounted emergency shower with a plastic showerhead and a 1" stay-open ball valve with a pull rod.

STANDARD EQUIPMENT:

Showerhead: Yellow, ABS plastic 7-3/8" diameter showerhead with 20 gpm flow regulator. An anti-microbial agent is molded into the ABS material, providing integrated protection.

Valve: 1" NPT rough chrome plated brass stay-open ball valve. Unit is provided with a stainless steel actuator arm and a 60" stainless steel pull rod.

Water Supply: 1" NPT female threaded brass inlet.

Universal Sign: ANSI compliant, vertical identification sign.

Weekly Test Tag: A water proof test card to record the date and inspector's name for weekly functional testing of the unit.

Model: S1100-PR60



OPTIONAL ACCESSORIES:

Additional costs may be incurred

- AL1 Electric alarm with light and horn
- AL2 Electric alarm with flashing light and horn
- FLW1 Flow switch, single pole
- MC2 Modesty curtain for vertical shower
- MS1 MAP (magnetically actuated proximity) switch, for one (1) actuator
- SV1 1" stainless steel ball valve
- TMV33 Thermostatic mixing valve is ASSE Listed per the ASSE 1071 standard. The tepid output water complies with ANSI Z358.1 standard.



Member of
U.S. Green
Building Council

Acorn Safety assumes no responsibility for use of void or suspended data. © Copyright 2010 Acorn Safety, City of Industry, CA, A Division of Acorn Engineering Company. Please visit www.acornsafety.com for most current specifications.

Submittal # **S1100-PR60**
[SHR] Rev. B 9/15/10

Product carries the following certifications:



Test rating conditions are compliant to ANSI Z358.1-2009



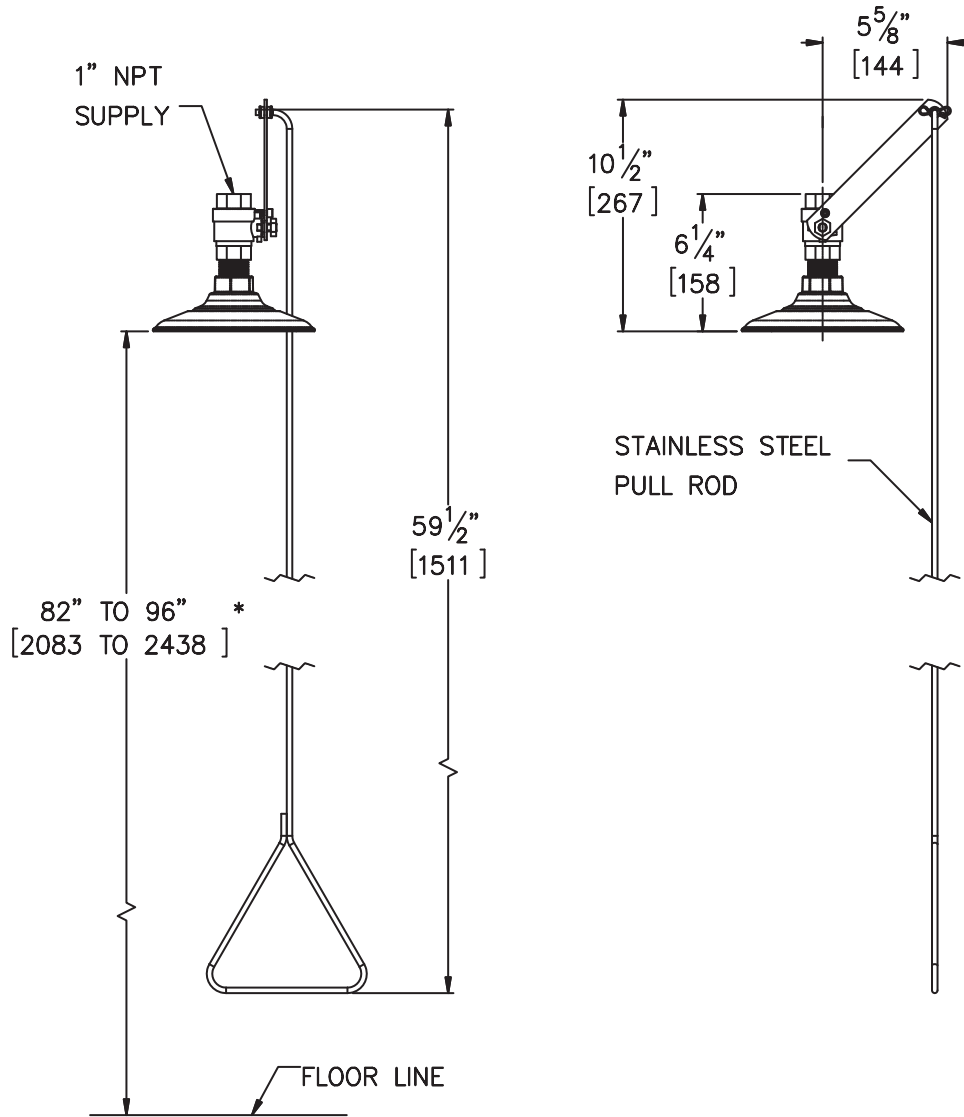
Member of
Acorn Engineering's
Family of Companies

ACORN SAFETY
15125 Proctor Avenue
City of Industry, CA
91746 U.S.A.
Phone 800-591-9372
626-855-4804
Fax 626-937-4213
www.acornsafety.com

TECHNICAL DIMENSIONS

All dimensions are nominal and subject to manufacturer's change without notice. Acorn Safety assumes no responsibility for use of void or suspended data. Dimensions may change with the addition of optional accessories. © 2008 Acorn Safety, a Division of Acorn Engineering Company. Please visit www.acornsafety.com for most current specifications.

☐ **Model S1100-PR60** : Barrier Free, Vertically Mounted Emergency Shower, Plastic Showerhead



GENERAL NOTES:

1. ALL DIMENSIONS ARE IN INCHES [MM].
- *2. ANSI Z358.1 REQUIRES THE SHOWER HEAD TO BE MOUNTED BETWEEN 82"[2083] AND 96"[2438] ABOVE THE FLOOR.

Rough-in # **S1100-PR60** Rev. A 11/20/08

Acorn Safety warrants that its products are free from defects in material or workmanship under normal use and service for a period of one year from date of shipment. Acorn's liability under this warranty shall be discharged solely by replacement or repair of defective material, provided Acorn is notified in writing within one year from date of shipment, F.O.B. Industry, California.

SELECTION SUMMARY & APPROVAL FOR MANUFACTURING

Model Number & Options _____ Quantity _____

Company _____

Contact _____ Title _____

Signature (Approval for Manufacturing) _____ Date _____



800-591-9372
or 626-855-4804
www.acornsafety.com