

Model S0850-RH

Deck Mounted, Swing Down Eyewash



SPECIFICATIONS:

Model S0850-RH is a deck mounted swing down eyewash that is installed behind the sink with ABS plastic eyewash spray heads. The eyewash swings down over the sink from the rear and the water flow is activated automatically. The eyewash flow is terminated once the unit has been swung back up into its original position for storage.

STANDARD EQUIPMENT:

Spray Head Assembly: ABS yellow plastic eyewash heads with integral flip dust covers, internal flow controls and filters to remove debris from the water. An anti-microbial agent is molded into the ABS material, providing integrated protection.

Valve: Swing down valve is mounted behind the sink on the countertop and has a 50 mesh inline strainer.

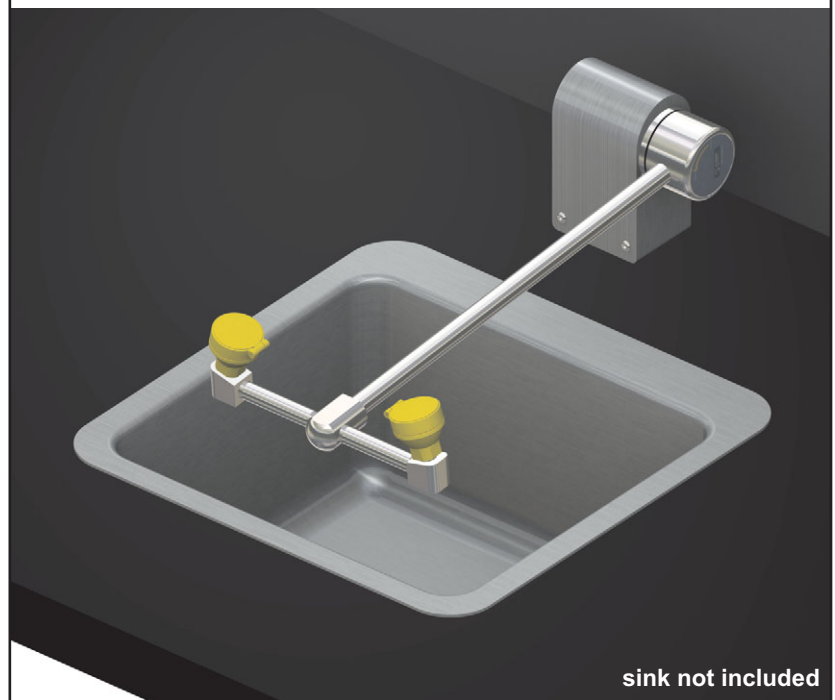
Water Supply: 1/2" NPT female threaded brass inlet.

Mounting: Deck mounted, 304 stainless steel valve housing.

Universal Sign: ANSI compliant, vertical identification sign.

Weekly Test Tag: A water proof test card to record the date and inspector's name for weekly functional testing of the unit.

Model: S0850-RH



sink not included

OPTIONAL ACCESSORIES:

Additional costs may be incurred

- AS All stainless steel
- FLW2 Flow switch, single pole
- IWH1 Instantaneous water heater - 208 volts
- IWH2 Instantaneous water heater - 240 volts
- LH Left hand mounting (Use model S0850-LH)
- SDC Stainless steel dust covers
- SSE Stainless steel eyewash spray heads
- TMV8 Thermostatic mixing valve is ASSE Listed per the ASSE 1071 standard. The tepid output water complies with ANSI Z358.1 standard.



Member of
U.S. Green
Building Council



Recyclable
Product

Acorn Safety assumes no responsibility for use of void or suspended data. © Copyright 2010- Acorn Safety, City of Industry, CA, A Division of Acorn Engineering Company. Please visit www.acornsafety.com for most current specifications.

Submittal # **S0850-RH**
[EW] Rev. B 9/1/10

Product carries the following certifications:



Test rating conditions are compliant to ANSI Z358.1-2009



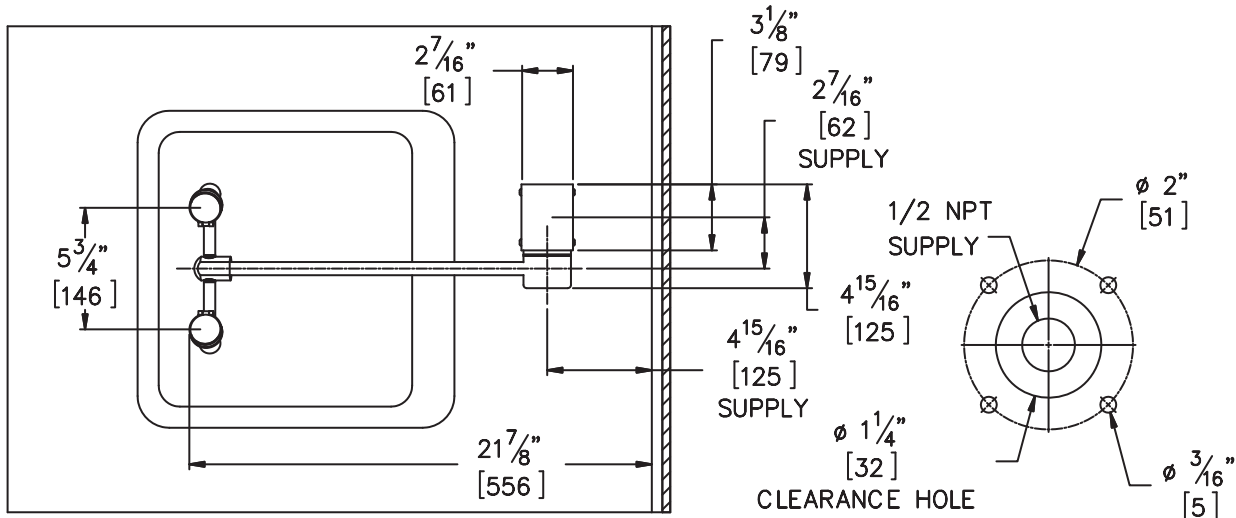
Member of
Acorn Engineering's
Family of Companies

ACORN SAFETY
15125 Proctor Avenue
City of Industry, CA
91746 U.S.A.
Phone 800-591-9372
626-855-4804
Fax 626-937-4213
www.acornsafety.com

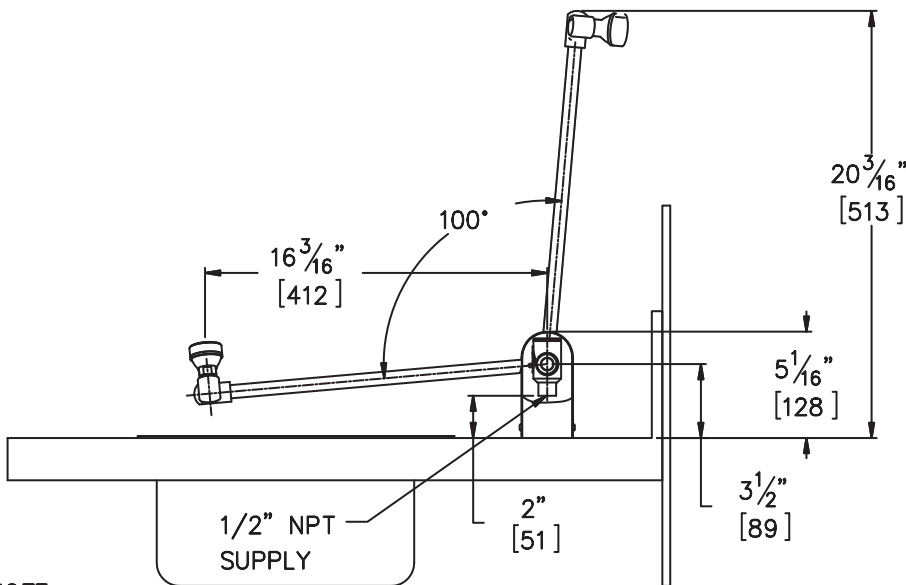
TECHNICAL DIMENSIONS

All dimensions are nominal and subject to manufacturer's change without notice. Acorn Safety assumes no responsibility for use of void or suspended data. Dimensions may change with the addition of optional accessories. © 2008 Acorn Safety, a Division of Acorn Engineering Company. Please visit www.acornsafety.com for most current specifications.

Model S0850-RH : Deck Mounted, Swing Down Eyewash



MOUNTING DETAIL



NOTE:

1. ALL DIMENSIONS ARE IN INCHES [MM].
2. ANSI Z358.1 REQUIRES NOZZLES TO BE BETWEEN 33" [838] AND 45" [1143] ABOVE FLOOR.
3. RIGHT HAND MODEL SHOWN. LEFT HAND MODELS AVAILABLE.

Rough-in # **S0850-RH** Rev. A 11/20/08

Acorn Safety warrants that its products are free from defects in material or workmanship under normal use and service for a period of one year from date of shipment. Acorn's liability under this warranty shall be discharged solely by replacement or repair of defective material, provided Acorn is notified in writing within one year from date of shipment, F.O.B. Industry, California.

SELECTION SUMMARY & APPROVAL FOR MANUFACTURING

Model Number & Options _____ Quantity _____

Company _____

Contact _____ Title _____

Signature (Approval for Manufacturing) _____ Date _____



800-591-9372
or 626-855-4804
www.acornsafety.com